

# OPENSTACK

[tminn.com](http://tminn.com)

PORTABLE, GUARDLESS  
PALLETIZER



SCAN



## Full Pallets, Fast.

The **Tishma Technologies Openstack Palletizer** is compact and portable, allowing your production to minimize operator involvement and move pallets out the door quickly.

- ▶ Less clutter in your plant with an open, guardless layout.
- ▶ Move and deploy quickly between your production lines.
- ▶ Fast cycle times to accommodate your throughput rates.
- ▶ Dual pallet docks allow for palletizing two different patterns or as buffer for full pallet storage.



CONTACT

847.884.1805

[info@tminn.com](mailto:info@tminn.com)

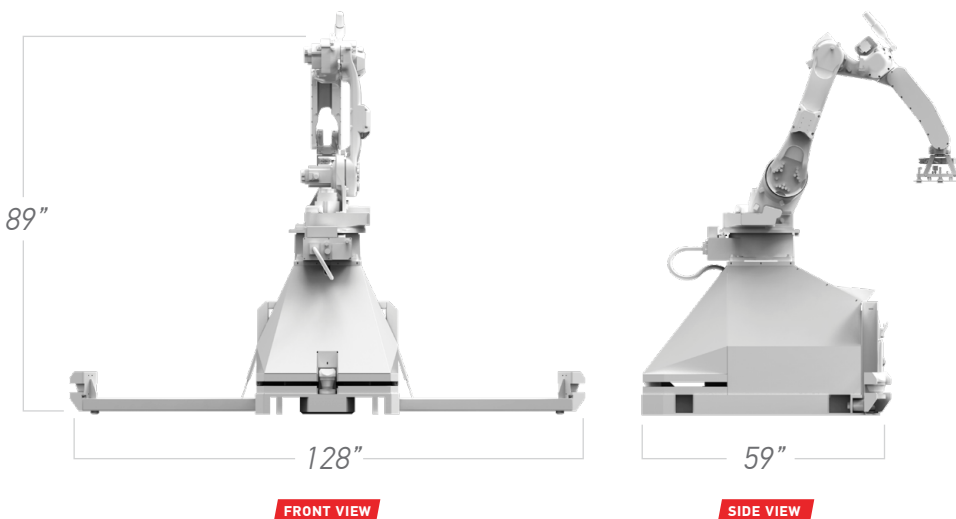
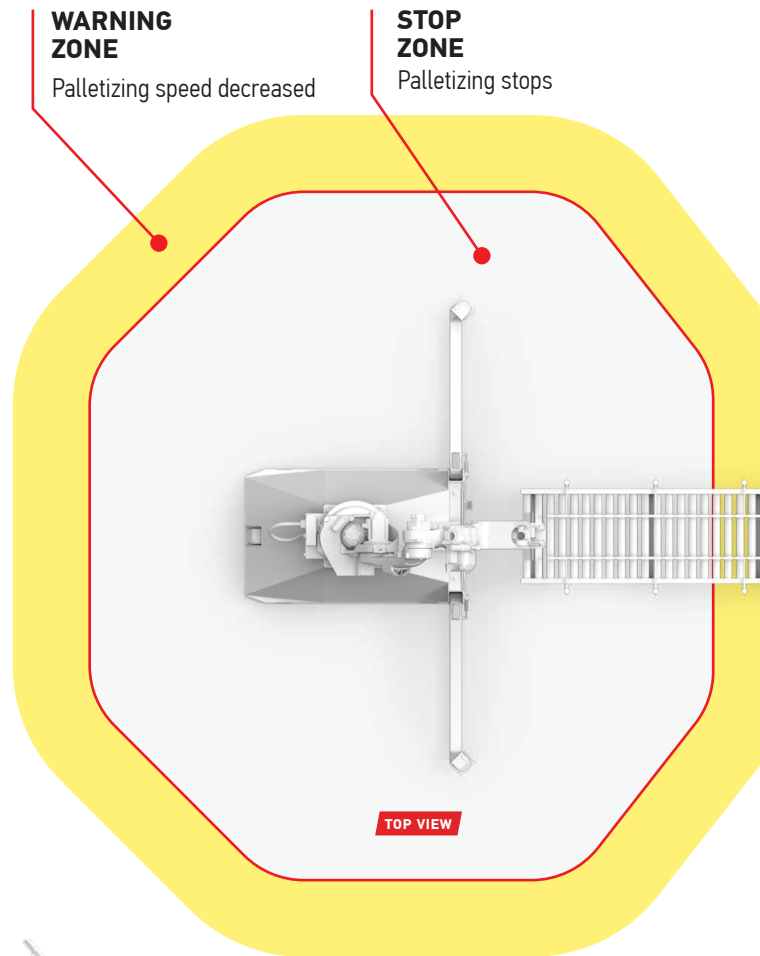
Information presented is subject to change as product improvements are made.  
Contact your account representative for current specifications. Rev A.5

## TECHNICAL SPECIFICATION

<b>PAYLOAD CAPACITY</b>	Up to <b>40 lbs</b>
<b>CYCLE TIME</b>	Up to <b>15 Picks/Minute</b>
<b>OVERALL DIMENSIONS</b>	W:5' L:11½' (deployed); W:5' L:3' (folded)
<b>OVERALL MASS</b>	<b>2200 lbs</b>
<b>FRAME</b>	<b>Stainless Steel 304</b>
<b>POWER REQUIREMENT</b>	<b>20A 480V 3PH</b>
<b>AIR REQUIREMENT</b>	<b>100psi, 1/2" line</b>
<b>DRIVE</b>	<b>Yaskawa YRC1000 (robot controller)</b>
<b>ELECTRICAL CONTROLS</b>	<b>Keyence/SICK</b>
<b>HMI</b>	<b>Yaskawa Smart Pendant</b>
<b>SAFETY</b>	<b>Area Safety Sensors Type3, SIL2, Cat3, and PLd</b>
<b>ENVIRONMENT REQs.</b>	<b>Low Dust</b>
<b>ROBOT</b>	<b>Yaskawa GP25</b>
<b>FLOOR MOUNT</b>	<b>Four Floor Anchor Bolts</b>
<b>EOAT</b>	<b>Vacuum Gripper</b>
<b>MAX. PALLET HEIGHT</b>	<b>7'</b>
<b>PALLET SIZES</b>	<b>All Standard Pallets</b>

## WORK AREA SAFETY ZONES

Laser scanners will trigger various operation states if an operator or a foreign object enters the safety zones.



## OPTIONS

- ▶ Slip/Tier Sheet Handling
- ▶ Custom EOAT Design
- ▶ Radar Micromovement Sensor for Auto-Reset

CONTACT

**847.884.1805**

info@tminn.com

